

FL33 V3.0

Everyday Carry User Guide



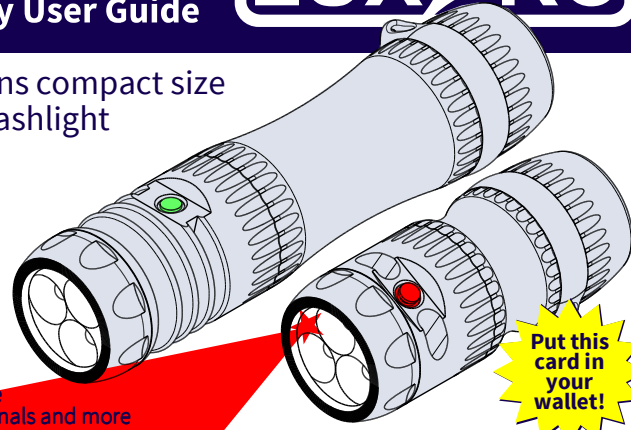
Up to **3500** lumens compact size every day carry flashlight

Constant current 1:20.000 dynamic range (PWM-free)

White and red sub-lumen modes with instant access

Wireless programming from any screen

Adaptive temperature control, smooth battery stretch, programmable bounce protection, voltage display, programmable signals and more



Put this card in your wallet!

WWW.LUX-RC.COM

2015

sales@lux-rc.com



Click shortly to switch the light ON and OFF. Depending on memory settings the light will start either from the first mode or the last used.



Press and hold the button to cycle the modes. Each battery setup may have its own mode set. The modes are added and programmed by web application on our site.



Press and hold the button in standby mode to access sub-lumen modes and select the color (red or white).



Press and hold the button in standby mode to replace a sub-lumen mode with defense strobe that you can later access from standby just in one touch.



Perform four fast clicks to lock or unlock the button and disable or enable the red locator beacon in standby.

Make sure that your battery is rated to provide 6 Amp discharge current!

We recommend not protected cells to maximize the output and efficiency.



A quality ICR/IMR 18650 or IMR 18350 rechargeable battery must be used in single-cell configuration. The output is limited by 17 Watts.



32 Watt Afterburning mode is available with two cells. We recommend good quality 18650 or IMR 18350 cells.



To program modes and enable advanced features use web application at www.lux-rc.com



To access battery digital voltage display use short PIN code "111".